



- Creative Team Of Fountains Design
- Strong R&D And Production Capacity
- Rich Projects Construction Experience
- International Standardization

---

## CONTACT US

TEL/WHATSAPP: +86 18816238859  
EMAIL: sales@huaxinfountains.com  
WEBSITE: www.huaxinfountain.com



# BUSINESS BROCHURE

FOCUS ON WATER SHOW PROJECTS

# HUAXIN FOUNTAIN

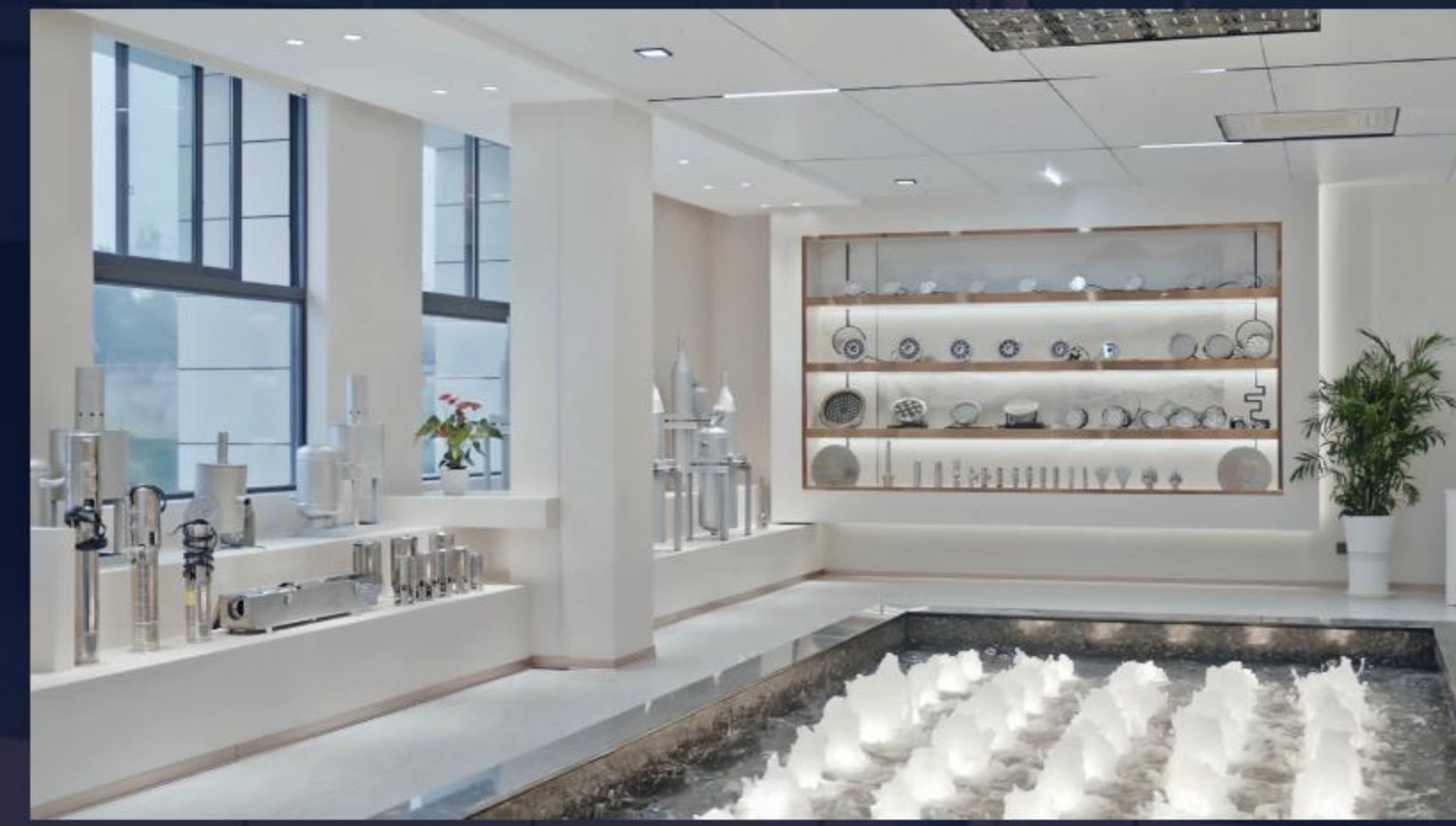
---





# ABOUT US

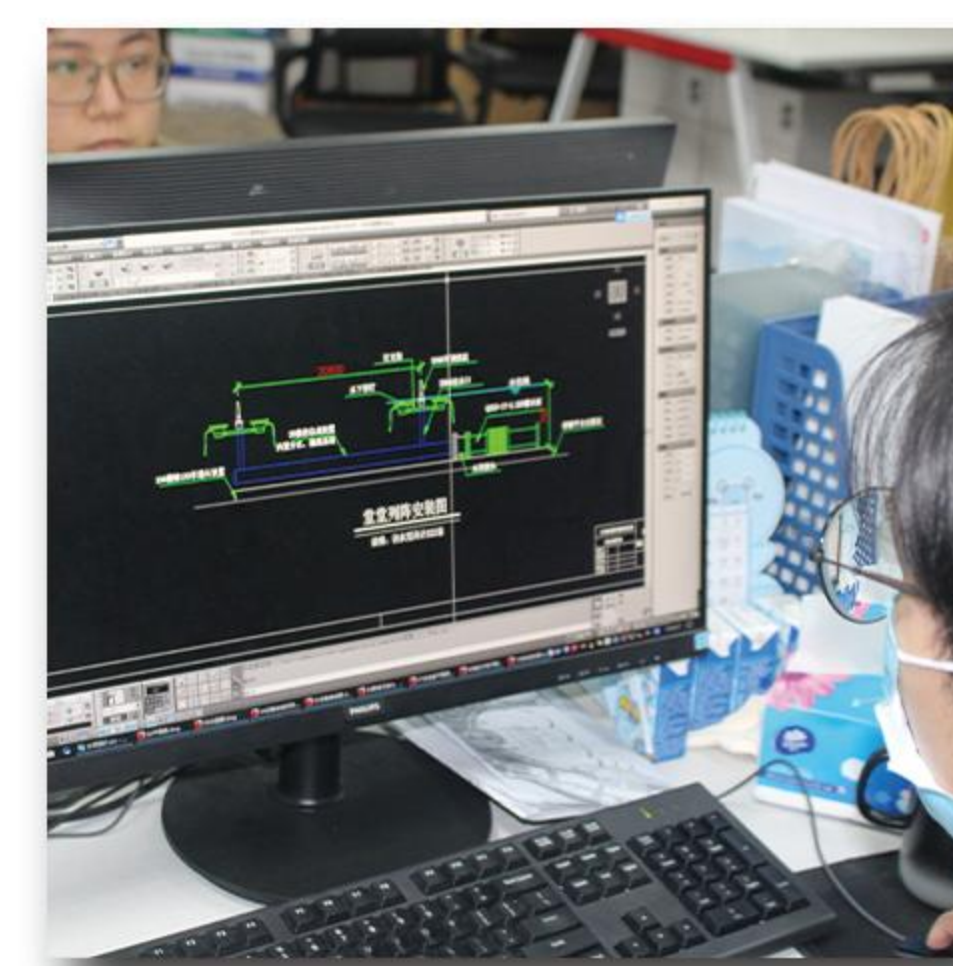
Neijiang Huaxin Art Fountain Factory is a comprehensive fountain enterprise. Our business includes the research and development of fountain equipment, the design and installation of water show projects, and the operation and maintenance of fountain projects, etc.



With 20 years of experience in more than 400 fountain projects, the team of Huaxin combined water, fire, light, shadow, sound, and color wonderfully, we have created landmarks and landscapes one after another with our clients together. We have passed the ISO9001 quality management system and D-U-N-S factory certification. Now holds 18 national-level utility patents. Products have passed CE, RoHS, SABER certification, etc. We have serviced more than 400 projects in 50 countries.

We began in fountain equipment manufacturing but what we do today goes well beyond - from customized fountain equipment production to fountain design and build. Since 2008, we have been providing fountain services for clients all over the world, today Huaxin Fountain is a proven innovator in both domestic and global markets. Our services cover fountain design, customized manufacturing, installation, technical support, and project maintenance. Being committed to the concept of "working outside the box" Huaxin Fountain is providing fountain build and design services to all kinds of fountain settings ranging from commercial to governmental and from private to public. We work closely with clients to realize our common vision.

## SERVICE PROCESS



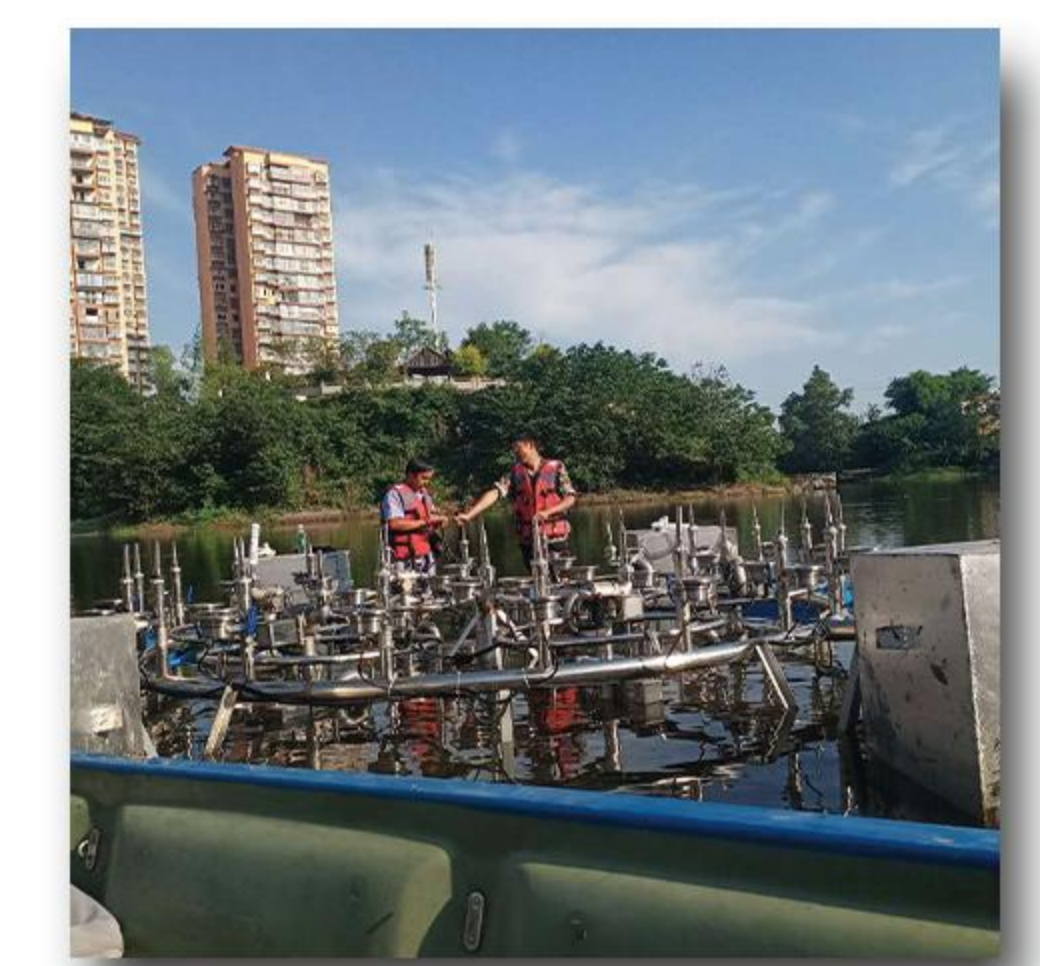
Design



Manufacture



Installation



Maintenance



# DUNS Registered TM Supplier Capability Evaluation (Manufacturing)

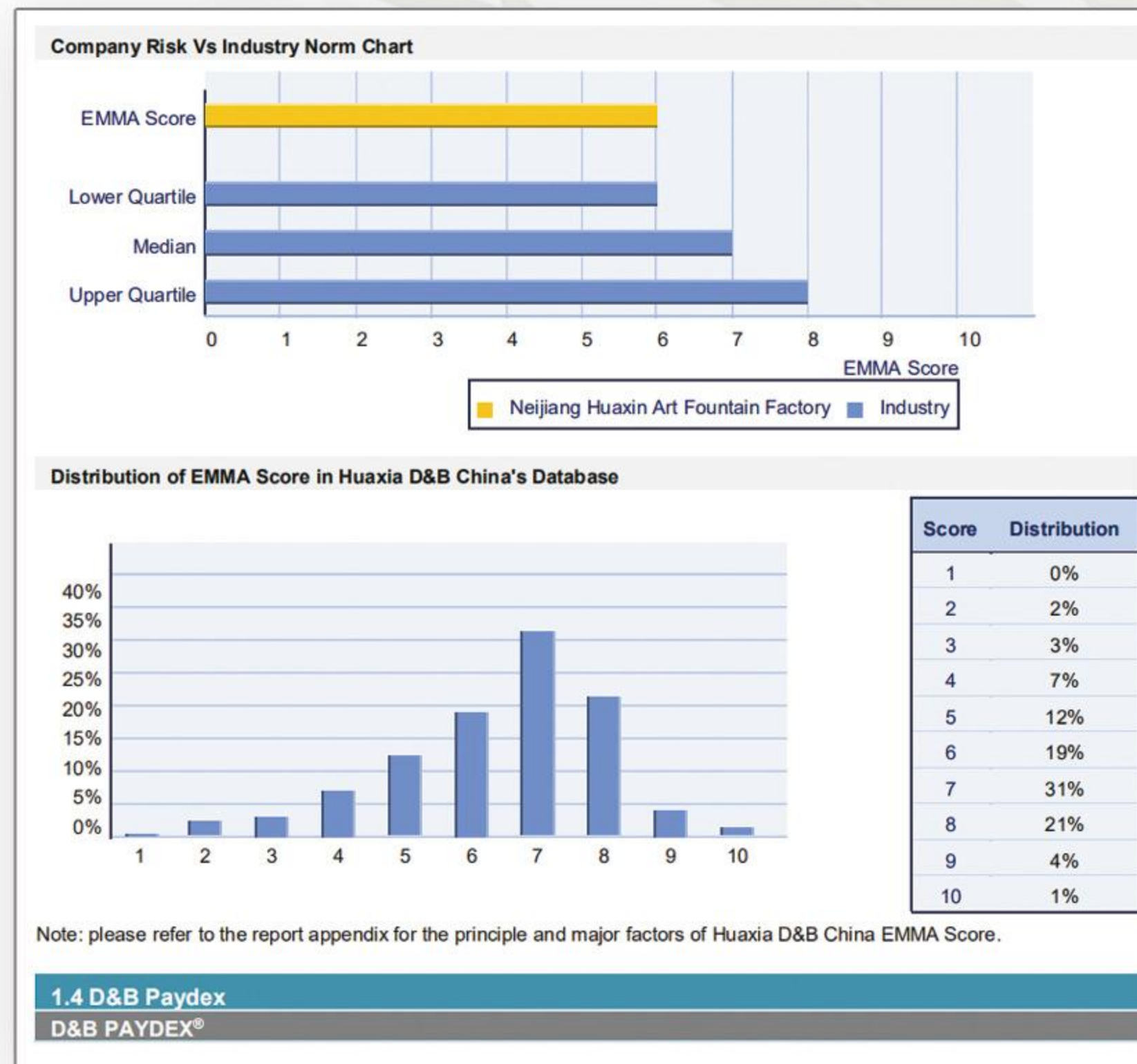
**Summary**

**Company Overview**

Company Name	Neijiang Huaxin Art Fountain Factory
Start Year	2008
Employee Size	32(Here)
Registered Capital	RMB 5,000,000
Current Shareholder	Wei Liu(100%)
Original Capital	-
Original Shareholder	Chuntao Zhou(100%)

**Credit Risk**

According to its financial capacity and credit condition, subject was rated a D&B Rating of **3A3**. Risk Index was rated at EMMA Score **6**, which means Below the Average Risk. Subject was rated a Paydex of **85**, indicating it pays its suppliers 10 days sooner than terms.



The D&B PAYDEX® is a unique indicator of payment performance weighted by the monetary value of the payment history as reported to D&B by trade references. A detailed explanation of how to read and interpret PAYDEX values can be found in the Appendices section of this report.

**PAYDEX of This Business**

**85**

120 days slow 30 days slow Prompt Participants

When weighted by payments in value to suppliers, an average **10 days sooner than terms** based on payments collected over the last 24 months

**PAYDEX of This Industry**

**55**

120 days slow 30 days slow Prompt Participants

When weighted by payments in value to suppliers, an average **26 days beyond terms** based on payments collected over the last 24 months

Industry Name: Fabricated metal products, nec  
Industry Median: 65  
Upper/Lower Quartile: 73/40  
Based on: 1083 businesses

**D&B PAYDEX® KEY**

- High risk of late payment (average of 30 to 120 days beyond terms)
- Medium risk of late payment (average of 30+ days or less beyond terms)
- Low risk of late payment (average of prompt to 30+ days sooner)

# < HUAXIN CE RoHS Certificates >



# < Huaxin Qualification Documents >





< AAA Certificates >



< Patent Certificates & Business License >



# DIRECTORY

## 01 Project Cases

P01

- 01 Musical Fountain Project At Riyadh Season 2021, Saudi Arabia P01
- 02 Dancing Fountain Project At Jeddah Season 2022, Saudi Arabia P02
- 03 Dry Fountain Of The 31st Universiade Venue In Chengdu, China P03
- 04 Dancing Water Fountain Project In Lahore, Pakistan P04
- 05 100\*10 Meters Dancing Fountain Project In Erbil, Iraq P05
- 06 Dry Floor Fountain Project At Boulevard Mall In Unaizah, KSA P06
- 07 Ring Fountain Project In People' s Square Of Egypt' s New Capital P07
- 08 Musical Fountain Project In Zhanaozen Central Park, Kazakhstan P08

## 02 CNC Fountain Equipment

P09

- 01 1D Multi-Directional Drive (Regular version) P09
- 02 1D Multi-Directional Drive (Upgraded version) P10
- 03 2D Multi-Directional Drive (Regular version) P11
- 04 2D Multi-Directional Drive (Upgraded version) P12
- 05 CNC Variable Nozzle P13
- 06 Rotating Flower Basket Nozzle P15
- 07 Air Explosion Fountain Device P16
- 08 Flaming Fountain Device P17
- 09 Flaming Fountain Device (Swing) P19
- 10 Water And Flame Mixing Fountain Device P20
- 11 Laminar Fountain Jets P21
- 12 Jumping Fountain Jets P22

## 03 Lights

P23

- 01 Underwater Fountain Lights P23
- 02 Ring Fountain Lights P23
- 03 Recessed Underground Lights P24
- 04 Wall Washer Lights P24

## 04 Other Equipment

P25

- 01 Low Pressure Fountain Pump P25
- 02 Fountain Pump (Regular version) P26
- 03 Water Screen P27
- 04 Laser & Cold Mist Host P28





## 01 Musical Fountain Project At Riyadh Season 2021, Saudi Arabia

**PROJECT ADDRESS:** Riyadh, KSA

**PROJECT OVERVIEW:** The installation area of the fountain is about 750 square meters.

**PROJECT SCALE:** Including digital swing device, straight-up jets, running jets, changeable jets, swing head light show, sound reinforcement system, and control system.

**DESIGN AND INSTALLATION METHOD:** Pool fountain.

## 02 Dancing Fountain Project At Jeddah Season 2022, Saudi Arabia

**PROJECT ADDRESS:** Jeddah, Saudi Arabia

**PROJECT OVERVIEW:** The installation area of the fountain is about 500 square meters.

**PROJECT SCALE:** Including digital swing device, flaming fountains, straight-up jets, rotate basket, running jets, changeable jets, swing head light show, sound reinforcement system, and control system.

**DESIGN AND INSTALLATION METHOD:** Pool fountain.







### 03 Dry Fountain Of The 31st Universiade Venue In Chengdu, China

**PROJECT ADDRESS:** Chengdu, China

**PROJECT OVERVIEW:** This project was specially built to welcome the 31st Universiade and is located outside the Phoenix Mountain Stadium in Chengdu, China. The project includes Laminar flow jets, pneumatic water film devices, frequency conversion devices, solenoid valve running fountains, etc., covering an area of about 1,600 square meters.

**PROJECT SCALE:** 1600 m<sup>2</sup>.

**DESIGN AND INSTALLATION METHOD:** Dry fountain.

### 04 Dancing Water Fountain Project In Lahore, Pakistan

**PROJECT ADDRESS:** Bismillah Housing Scheme Phase-2, Lahore, Pakistan

**PROJECT OVERVIEW:** Completed in February 2023. The fountain size is 52\*20 meters, including central high jet, rainbow jets, 1D jets, vice jets, peacock jets, straight-up jets, running jets, DMX lights, water pumps, audio system, control system

**DESIGN AND INSTALLATION METHOD:** Pool fountain.







## 05 100\*10 Meters Dancing Fountain Project In Erbil, Iraq

**PROJECT ADDRESS:** Erbil, Iraq

**PROJECT OVERVIEW:** 100\*10 Meters.

**PROJECT SCALE:** Including digital swing device, straight-up jets, rotate basket, running jets, inward arching jets, laser show, sound reinforcement system, water treatment system, and control system.

**DESIGN AND INSTALLATION METHOD:** Pool fountain.

## 06 Dry Floor Fountain Project At Boulevard Mall In Unaizah, KSA

**PROJECT ADDRESS:** Unayzah City, KSA

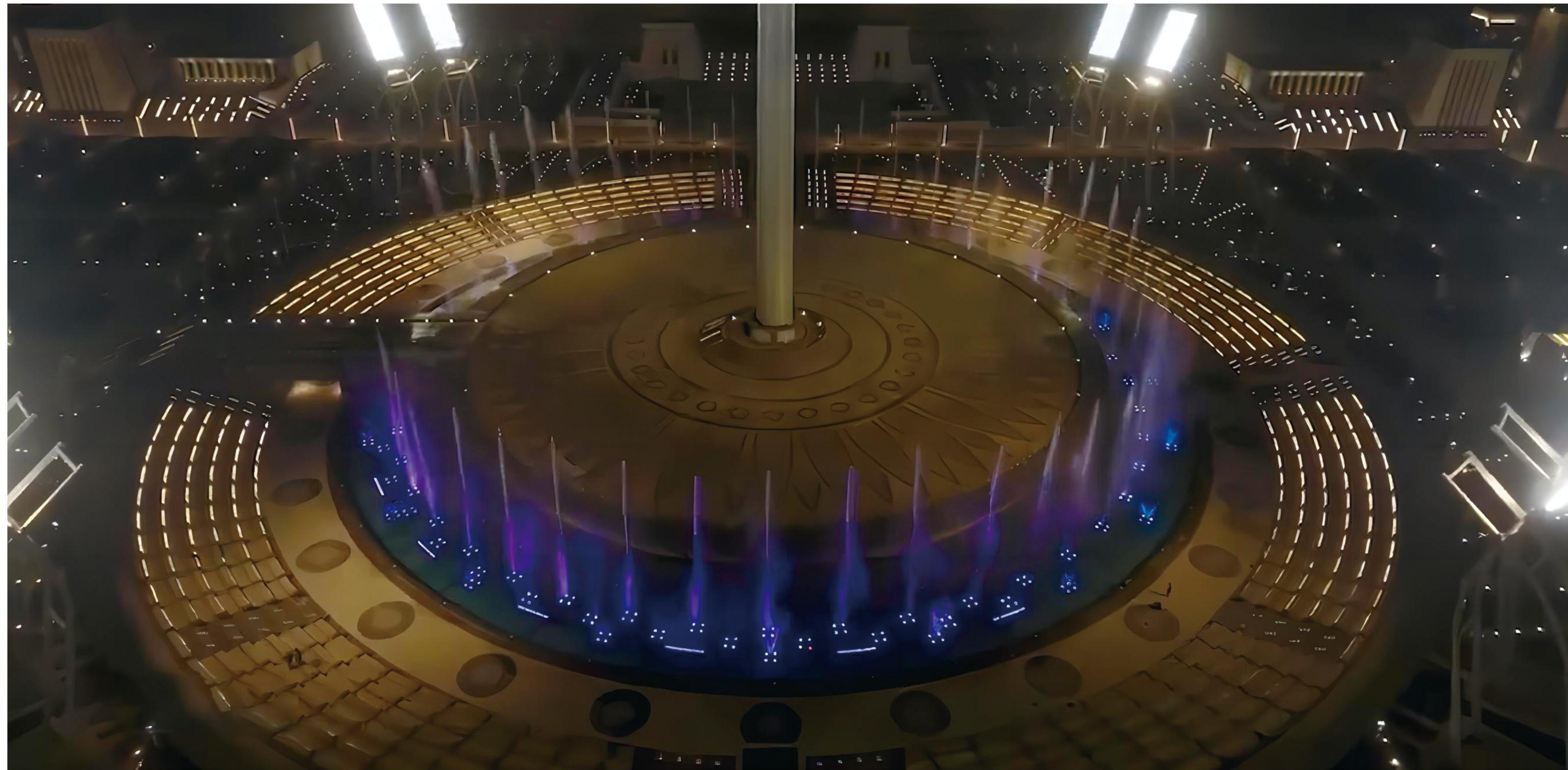
**PROJECT OVERVIEW:** The installation area of the fountain is about 130 square meters.

**PROJECT SCALE:** Including Geyser Jets, Laminar Flow Jets, Central Hole Light systems, Sound Reinforcement Systems, and Control Systems.

**DESIGN AND INSTALLATION METHOD:** Floor fountain.







## 07 Ring Fountain Project In People' s Square Of Egypt' s New Capital

**PROJECT ADDRESS:** New Administrative Capital, Egypt

**PROJECT OVERVIEW:** The project is located in People' s Square, the New Administrative Capital of Egypt. The fountain is arranged in a ring around the world's tallest flagpole. This project mainly uses 2D swing equipment, Running Jets, Laminar Flow Jets, Peacock Shape Jets, Rotation Swing Flower Shape Jets, Air Explosion Jets, and so on.

**PROJECT SCALE:** 1600 m<sup>2</sup>.

**DESIGN AND INSTALLATION METHOD:** Pool fountain.

## 08 Musical Fountain Project In Zhanaozen Central Park, Kazakhstan

**PROJECT ADDRESS:** Zhanaozen City, Kazakhstan

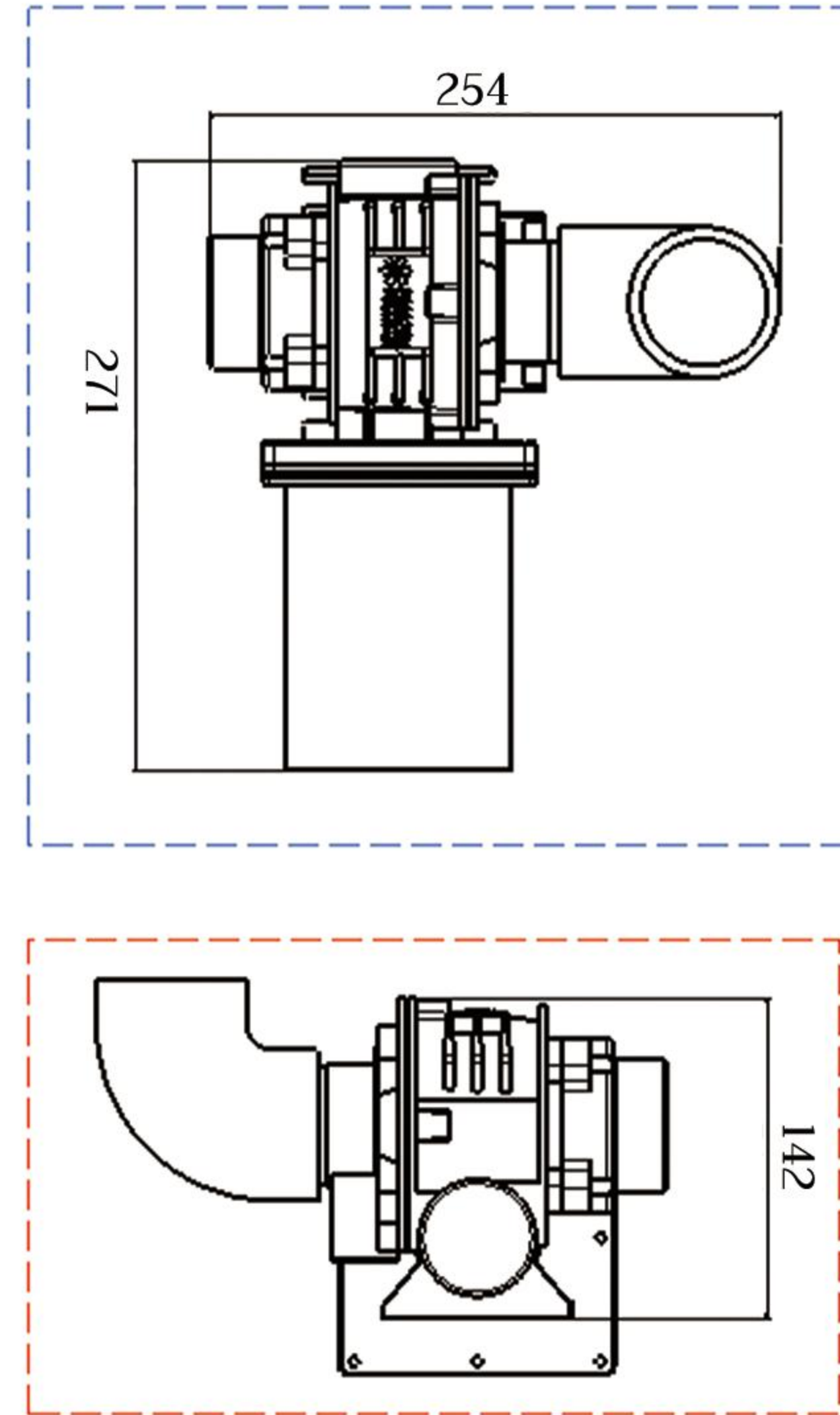
**PROJECT OVERVIEW:** There are three pools, including two 24\*8-meter pools and one 24\*18-meter pool. The fountain covers a total area of 844 square meters. Including Central Jets, Peacock Tail Jets, Running Jets, Rotary Jets, and so on.

**DESIGN AND INSTALLATION METHOD:** Pool fountain.

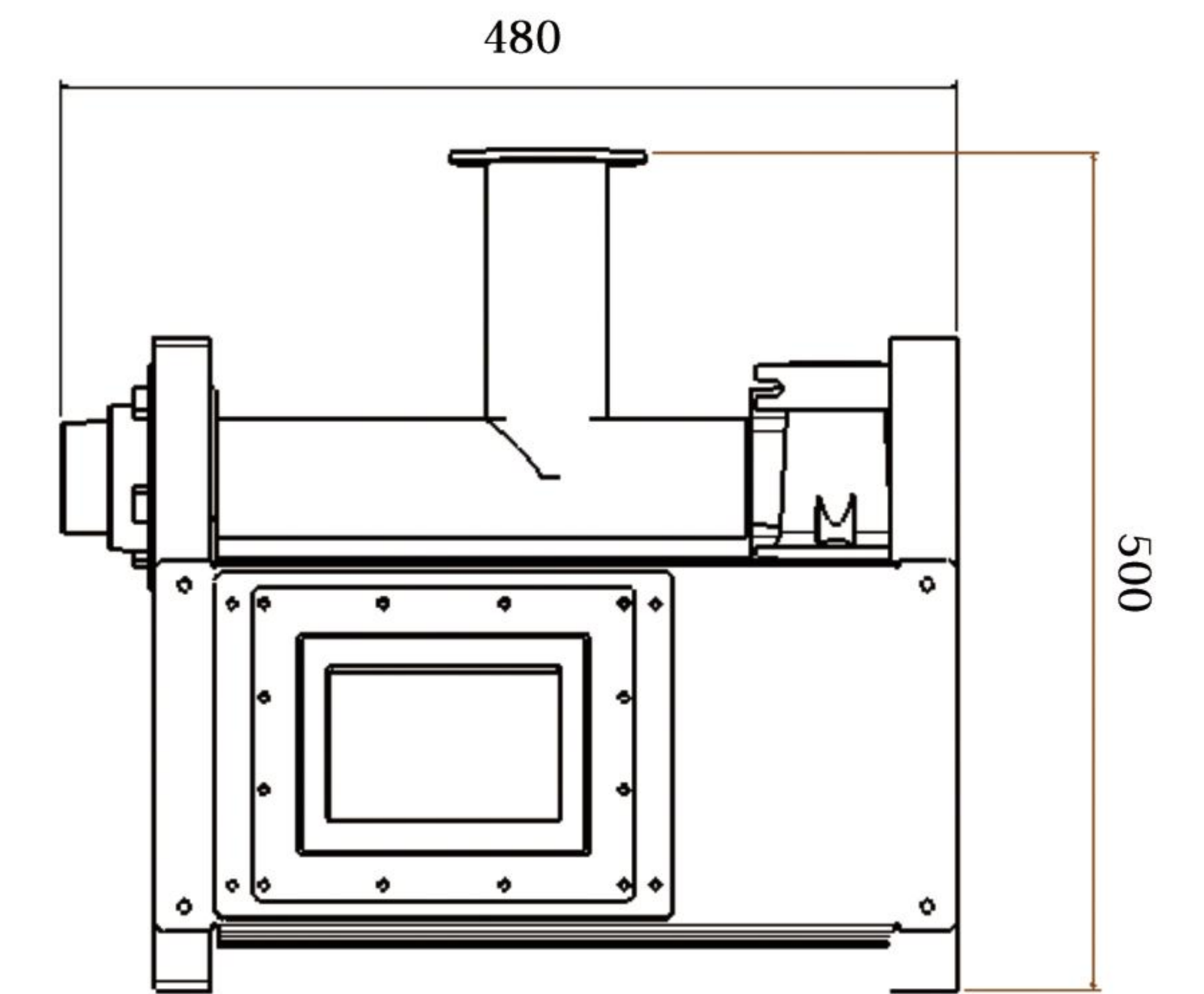




1D Multi-Directional Drive (Regular version)



1D Multi-Directional Drive (Upgraded version)



Technical Parameter

Material	Stainless Steel 304
Diameter (DN)	DN50
Size (mm)	L271*W254*H142
Total Weight	12kg
Reduction Ratio	1:10
Working Voltage Of Stepper Motor	AC60V-80V
Lift	8-15m
The Power Of The Stepper Motor	200W
The Number Of Phases Of The Stepper Motor	Two Phase
The Maximum Torque Of The Stepper Motor	8.5(N.M)
Sensor Voltage	DC24V
Sensor Line Color Separation	Brown-24v Blue-Gnd Black-Return To Zero Signal
Stepper Motor Line Color Separation	Red-A+ Green-A- Yellow-B+ Black-B-
Recommended Stepper Motor Mounting Cables	JHS 4*2.5mm <sup>2</sup>
Recommended Sensor Mounting Cable	PVVP 3*1.0mm <sup>2</sup>



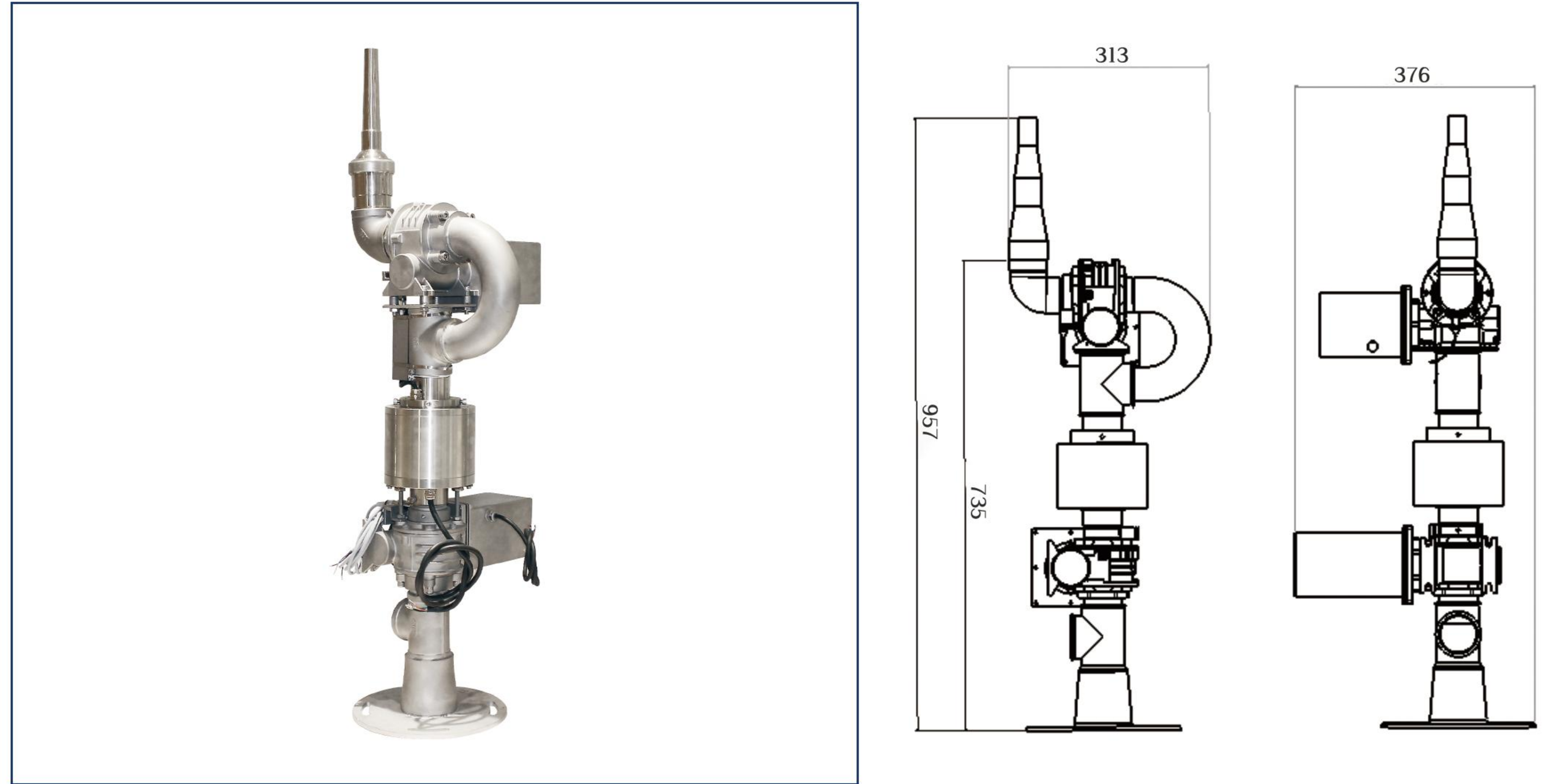
Technical Parameter

Material	Stainless Steel 304
Diameter (DN)	DN50
Size (mm)	L380*W480*H500
Total Weight	37.5kg
Reduction Ratio	1:10
Working Voltage Of Stepper Motor	AC60V-80V
Lift	8-15m
The Power Of The Stepper Motor	200W
The Number Of Phases Of The Stepper Motor	Two Phase
The Maximum Torque Of The Stepper Motor	8.5(N.M)
Sensor Voltage	DC24V
Sensor Line Color Separation	Brown-24v Blue-Gnd Black-Return To Zero Signal
Stepper Motor Line Color Separation	Red-A+ Green-A- Yellow-B+ Black-B-
Recommended Stepper Motor Mounting Cables	JHS 4*2.5mm <sup>2</sup>
Recommended Sensor Mounting Cable	PVVP 3*1.0mm <sup>2</sup>
Lighting Configuration	HX130GM-AC24V-3*3W





## 2D Multi-Directional Drive (Regular version)



### Technical Parameter

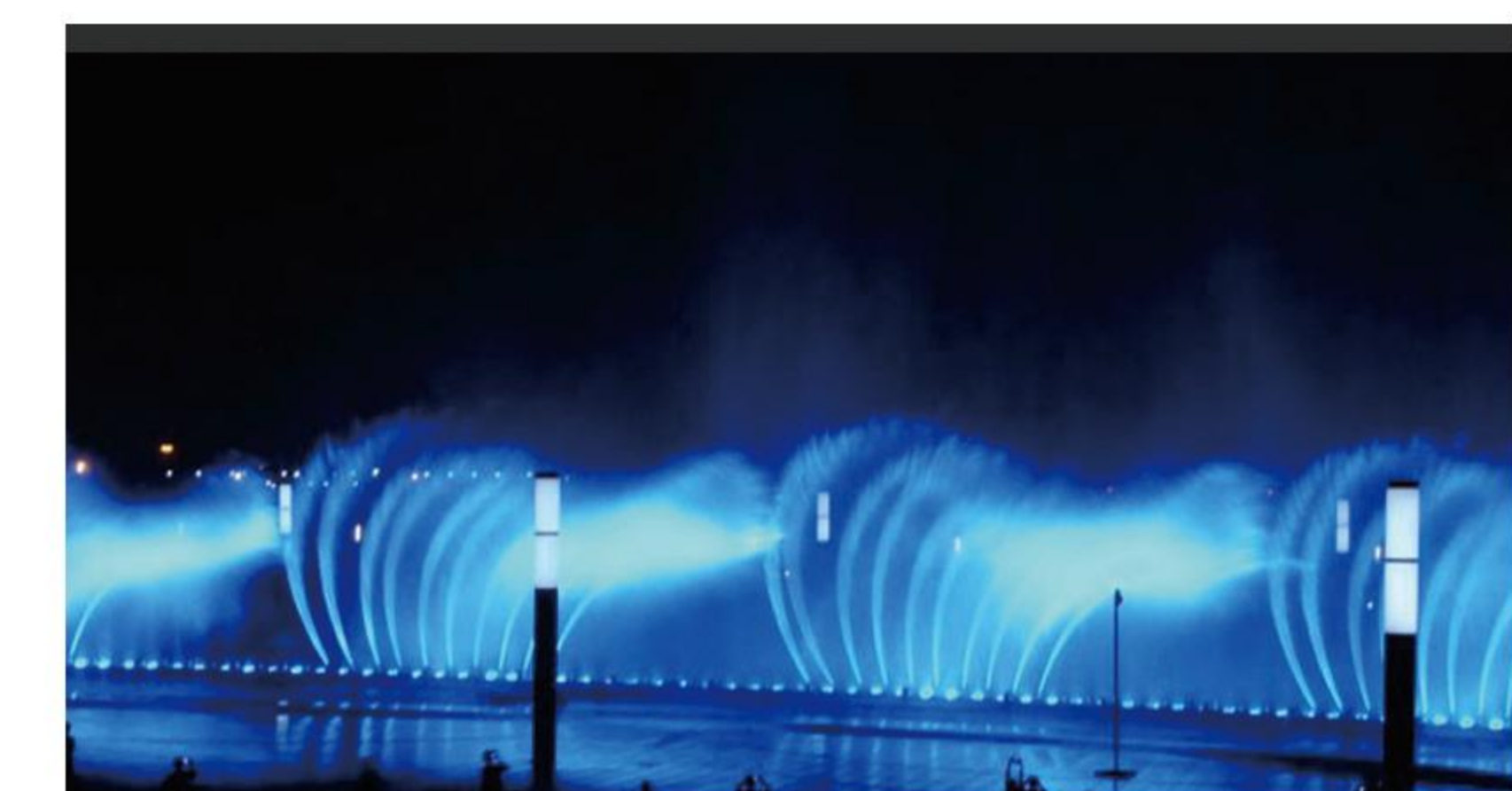
Material	Stainless Steel 304
Nozzle Diameter (mm)	DN50
Length*Width*Height (mm)	L313*W376*H735
Net Weight (Kg)	37.65
Upper Dimension Reduction Ratio	1:10
Lower Dimension Reduction Ratio	1:10
Stepping Motor Working Voltage	AC60V-80V
Stepper Motor Power	200W, 260W
Lift	10-15m
Number Of Phases Of Stepper Motor	Two Phases
Upper Stepping Motor Maximum Torque	8.5(N.M)
Lower Stepping Motor Maximum Torque	12(N.M)
Sensor Voltage	DC24V
Upper (Lower) Dimensional Sensor Line Color Separation	Brown-24v Blue-Gnd Yellow-Return To Zero Signal
Upper (Lower) Dimensional Stepper Motor Line Color Separation	Red-A+ Green-A- Yellow-B+ Black-B-
Recommended Stepper Motor Mounting Cables	JHS 4*2.5mm <sup>2</sup>
Recommended Sensor Mounting Cable	PVVP 3*1.0mm <sup>2</sup>
Number Of Slip Ring Lines	8



## 2D Multi-Directional Drive (Upgraded version)

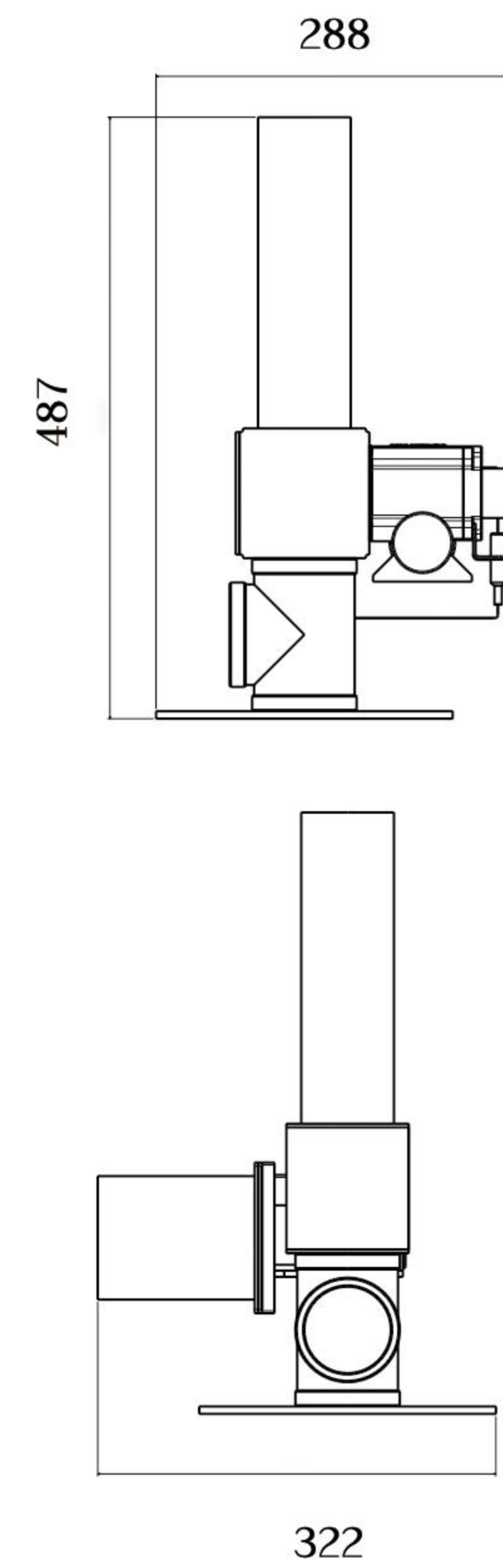


Material	Stainless Steel 304
Nozzle Diameter (mm)	DN50
Length*Width*Height (mm)	L600*W450*H650
Net Weight (Kg)	56.3
Upper Dimension Reduction Ratio	1:10
Lower Dimension Reduction Ratio	1:10
Stepping Motor Working Voltage	AC60V-80V
Stepper Motor Power	200W, 260W
Lift	10-15m
Number Of Phases Of Stepper Motor	Two Phases
Upper Stepping Motor Maximum Torque	8.5(N.M)
Lower Stepping Motor Maximum Torque	12(N.M)
Sensor Voltage	DC24V
Upper (Lower) Dimensional Sensor Line Color Separation	Brown-24v Blue-Gnd Yellow-Return To Zero Signal
Upper (Lower) Dimensional Stepper Motor Line Color Separation	Red-A+ Green-A- Yellow-B+ Black-B-
Recommended Stepper Motor Mounting Cables	JHS 4*2.5mm <sup>2</sup>
Recommended Sensor Mounting Cable	PVVP 3*1.0mm <sup>2</sup>
Running Direction (up and down dimension)	±45°
Lighting Configuration	HX130GM-AC24V-3*3W (RGB/ Internal Control)



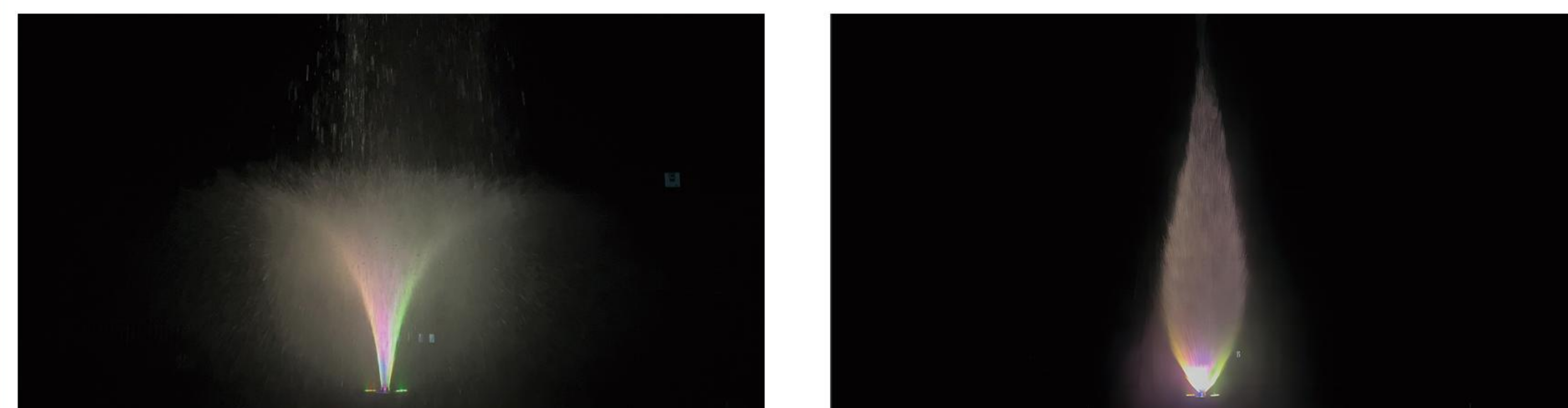


### CNC Variable Nozzle (Regular version)

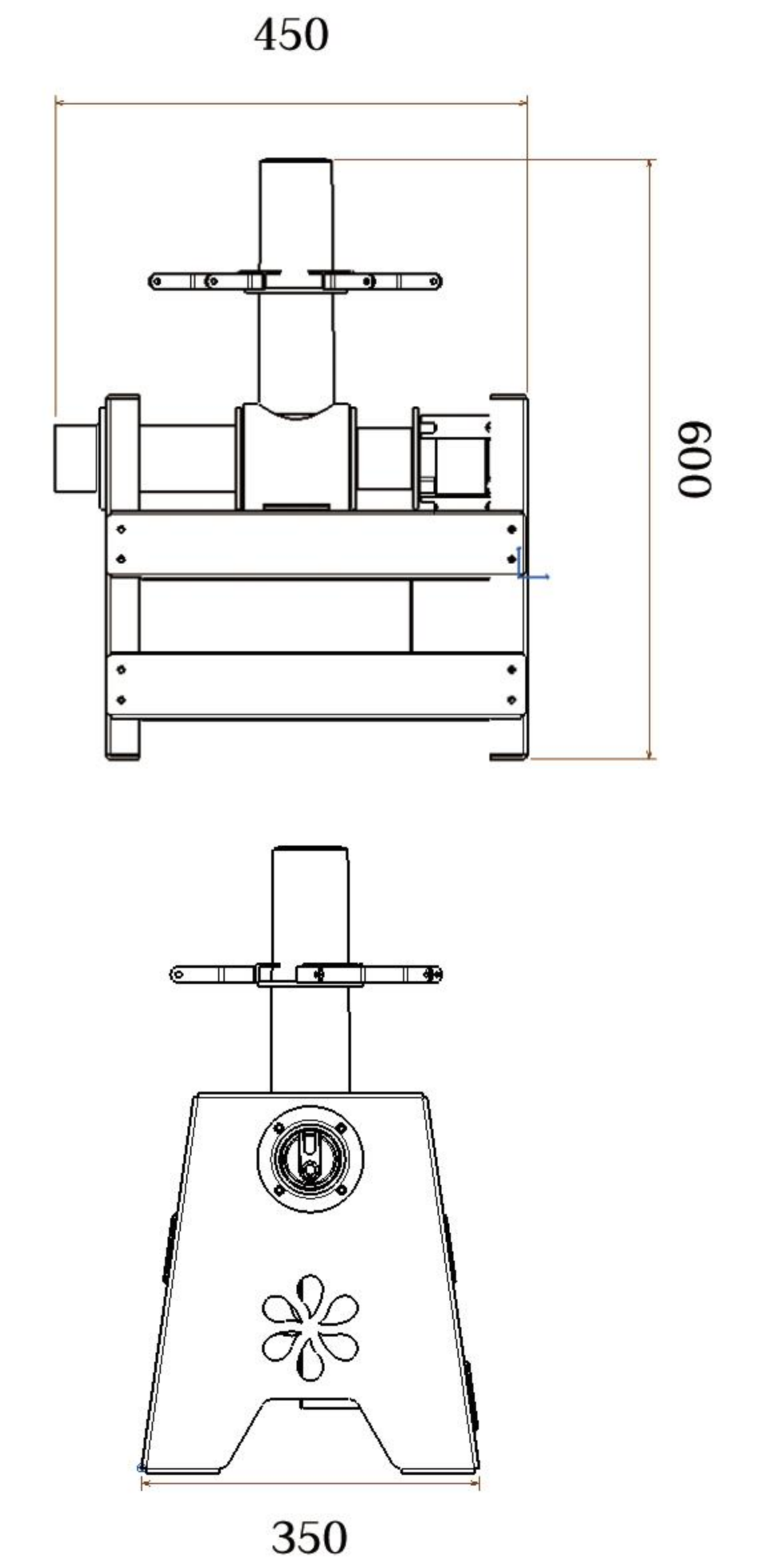
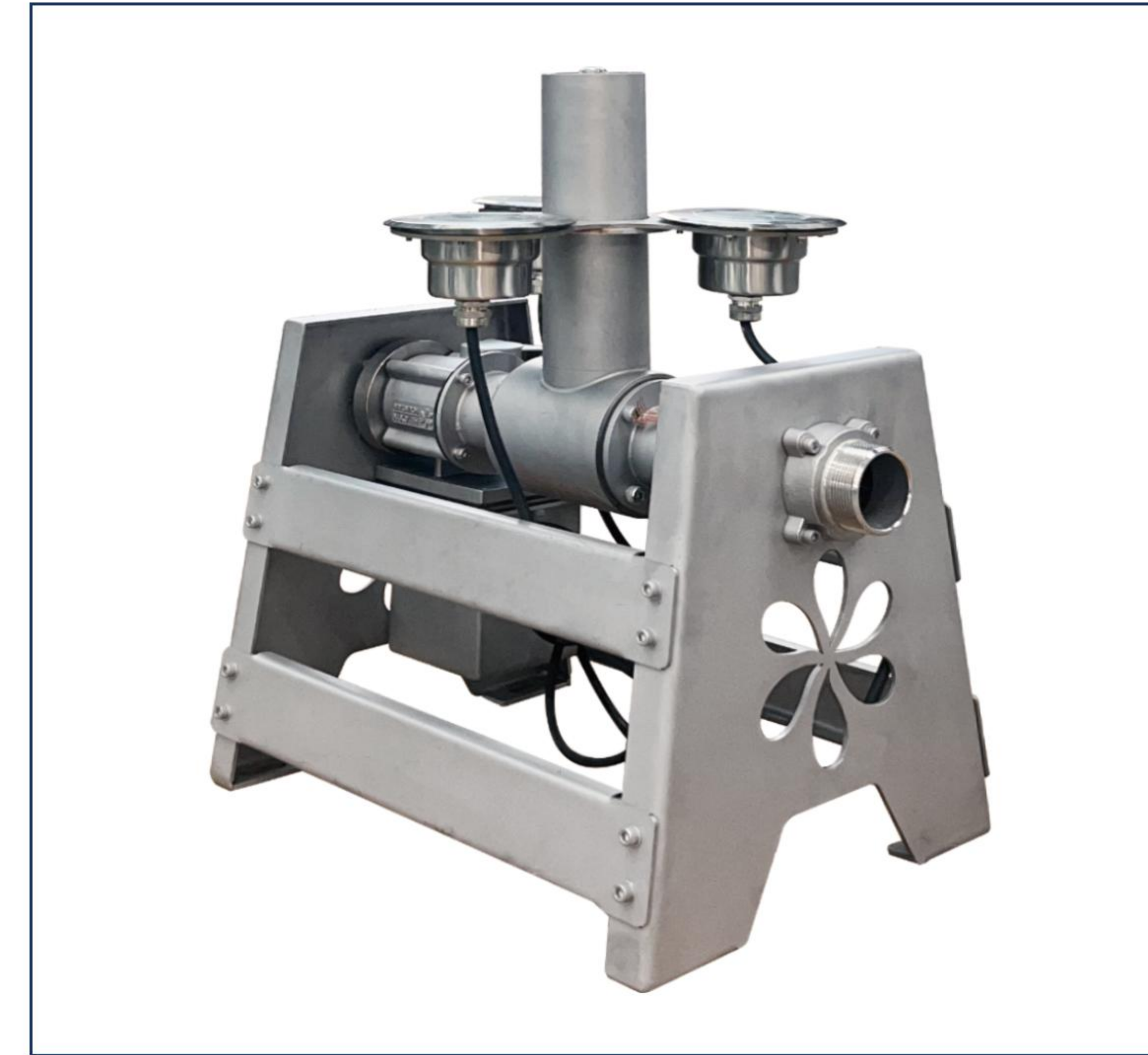


#### Technical Parameter

Material	Stainless Steel 304
Nozzle Diameter (mm)	DN50
Weight (kg)	17.8
Length*Width*Height (mm)	322*288*487
Water Spray Height (M)	8
Reduction Ratio	1:10
Stepper Motor Operating Voltage	AC55V-70V
Stepper Motor Power	200W
Stepper Motor Phase Number	Two Phases
Stepper Motor Maximum Torque	8.5(N.M)
Sensor Voltage	DC24V
Sensor Line Color Separation	Brown-24V Blue-GND Black-Return to zero signal
Stepper Motor Wire Color Separation	Red-A+ Green-A- Yellow-B+ Black-B-
Recommended Stepper Motor Mounting Cables	JHS 4*2.5mm <sup>2</sup>
Recommended Sensor Installation Cables	PVVP 3*1.0mm <sup>2</sup>
Running Direction	Straight up and down movement

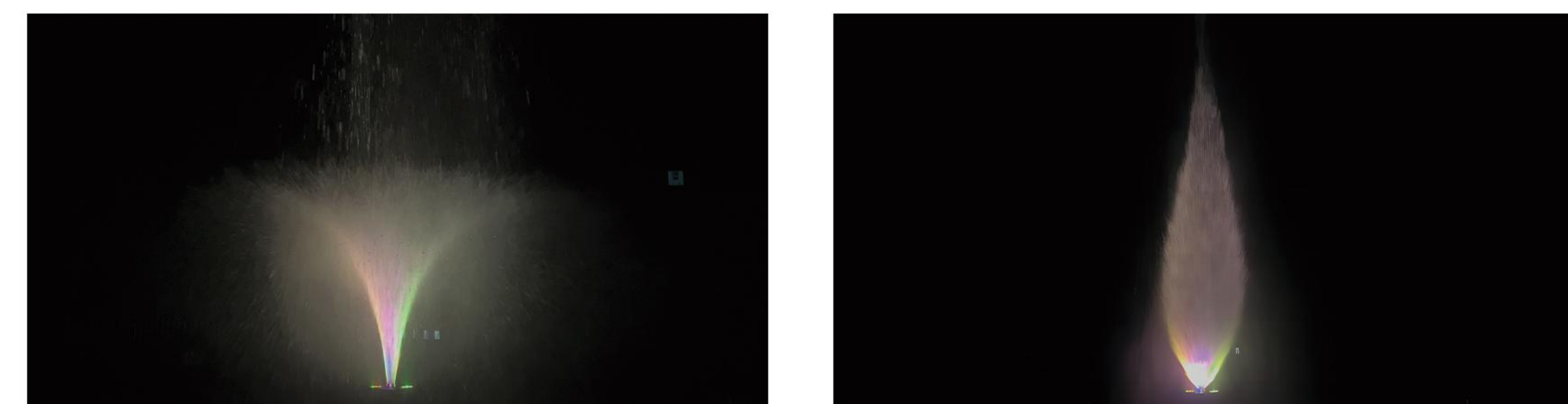


### CNC Variable Nozzle (Upgraded version)



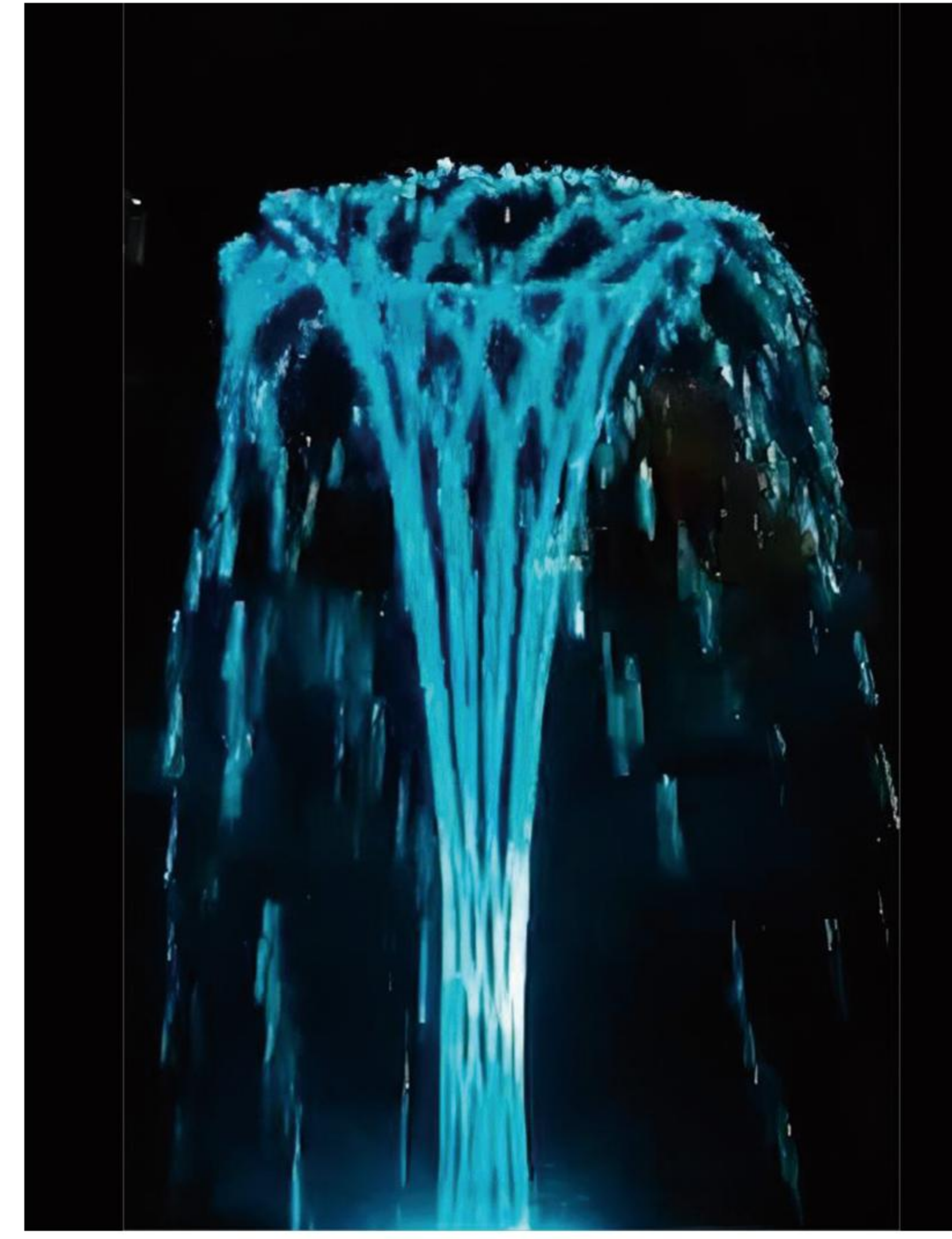
#### Technical Parameter

Material	Stainless Steel 304
Nozzle Diameter (mm)	DN50
Weight (kg)	29.2
Length*Width*Height (mm)	350*450*600
Water Spray Height (M)	8-10
Reduction Ratio	1:10
Stepper Motor Operating Voltage	AC55V-70V
Stepper Motor Power	200W
Stepper Motor Phase Number	Two Phases
Stepper Motor Maximum Torque	8.5(N.M)
Sensor Voltage	DC24V
Sensor Line Color Separation	Brown-24V Blue-GND Black-Return to zero signal
Stepper Motor Wire Color Separation	Red-A+ Green-A- Yellow-B+ Black-B-
Recommended Stepper Motor Mounting Cables	JHS 4*2.5mm <sup>2</sup>
Recommended Sensor Installation Cables	PVVP 3*1.0mm <sup>2</sup>
Running Direction	Straight up and down movement
Lighting Configuration	HX130GM-AC24V-3*3W (RGB/ Internal Control)





## Rotating Flower Basket Nozzle



### Technical Parameter

Material	Stainless Steel 304
Pipe Connector	G2
Through Hole Diameter	DN50
Nozzle Diameter And Water Outlet Diameter	Φ210* (Φ6*12)
Movement Form	360° Rotation
Carrying Medium	Water
Input Pulse Ratio	Pulse/rev 400-25000
Reducer Speed Ratio	1:10
Equipment Weight(Kg)	46
Equipment Size	600*600*600
Package Volume	620*620*620
Package	Wooden Box
Operating Environment Temperature	0—40°
Water Temperature	0—40°
Voltage	70±10%VAC
Drive Mode	Stepper Motor
Control Method	Digital Pulse
Protection Level	IP68
Insulation Level	B
Water Outlet Diameter	Ø6*12
Lamp	HX130GM-AC24V-3*3W/ RGB
Can It Be Trampled?	No
Flow	25
Lift	12

## Air Explosion Fountain Device

### Technical Parameter

Model	PG15	PG25	PG35	PG45	PG55	PG70
Material	SUS304	SUS304	SUS304	SUS304	SUS304	SUS304
Dimensions (mm)	680*325*630	680*330*830	750*370*1280	760*385*1280	980*385*1480	1410*720*1980
Weight (kg)	38	40	56	60	92	243
Spray Height (m)	15-19	20-29	30-39	40-49	50-59	70-78
Nozzle Diameter (mm)	31	31	31	31	31	47
Air Intake Diameter	DN25	DN25	DN25	DN25	DN40	DN40
Standard Pressure (mpa)	0.6	0.8	0.8	0.8	1.0	1.2

### Equipment Exhibition



### Effect





## Flaming Fountain Device (gas)

Equipment Exhibition



Effect



Technical Parameter

Fuel	Gas
Material	304 stainless steel
Size (mm)	Φ273*800
Weight (KG)	26
Input Voltage (V)	220
Current (A)	2.5
Power (W)	550
Maximum Spray Height (m)	3
Nozzle Diameter (mm)	8
Pipe Material	304 stainless steel (seamless steel pipe)
Pipe Size	Main pipe size is determined by site conditions

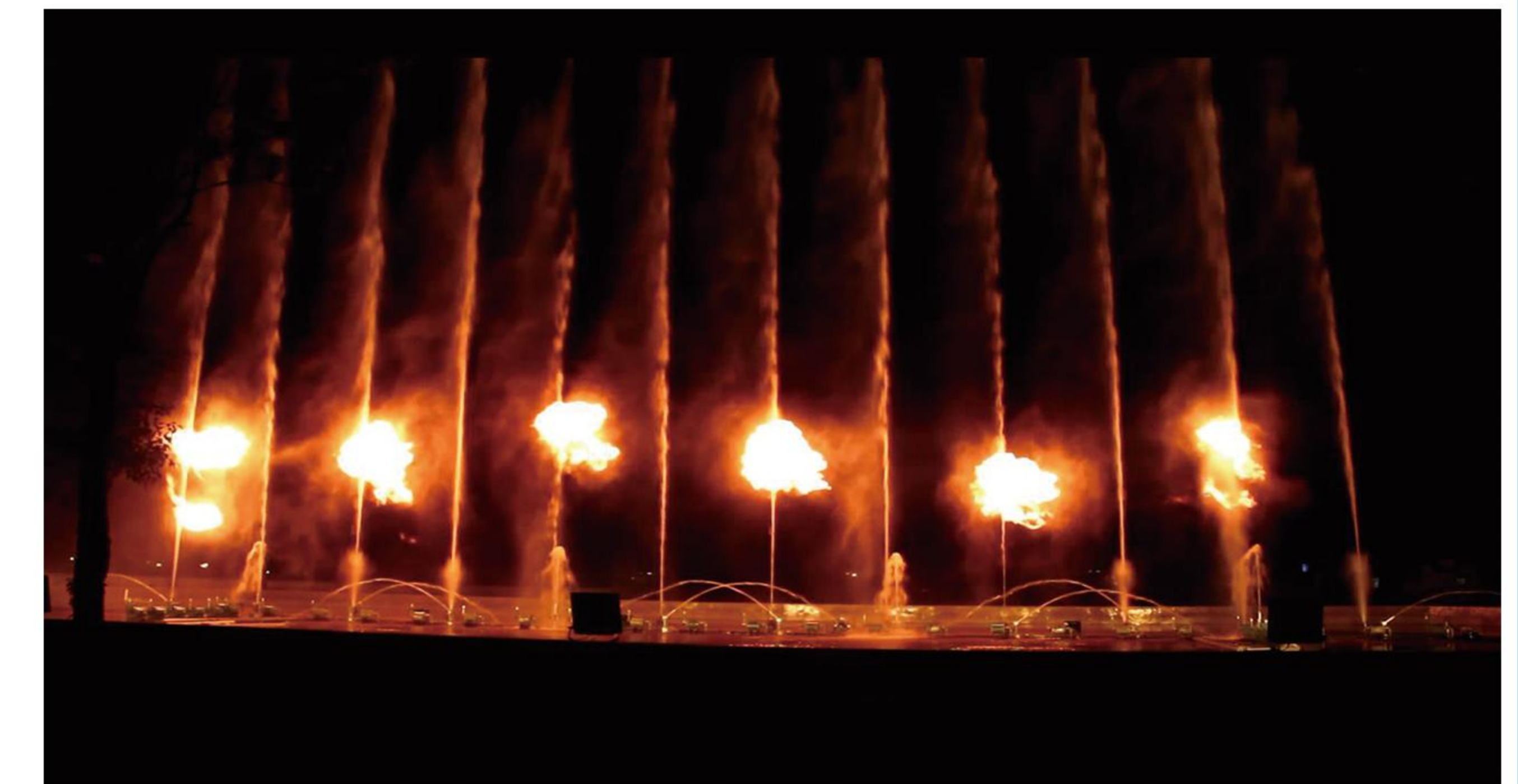


## Flaming Fountain Device (oil)

Equipment Exhibition



Effect



Technical Parameter

Fuel	Oil
Material	304 stainless steel
Size (mm)	600*300*750
Weight (KG)	28
Input Voltage (V)	220
Current (A)	2.5
Power (W)	550
Maximum Spray Height (m)	10
Nozzle Diameter (mm)	2.5
Pipe Material	304 stainless steel (seamless steel pipe)
Pipe Size	Main pipe size is determined by site conditions



## Flaming Fountain Device (swing)

Equipment Exhibition



Effect



Technical Parameter

Fuel	Oil
Material	304 stainless steel
Size (mm)	600*400*750
Weight (KG)	38
Ignition Voltage (V)	220
Ignition Current (A)	2.5
Power (W)	550
Maximum Spray Height (m)	6
Nozzle Diameter (mm)	2.5
Motor Voltage (V)	380
Motor Current (A)	1.2
Motor Power (W)	300
Maximum Angle	45° left and right
Pipe Material	304 stainless steel (seamless steel pipe)
Pipe Size	Main pipe size is determined by site conditions

## Water And Flame Mixing Fountain Device

Equipment Exhibition

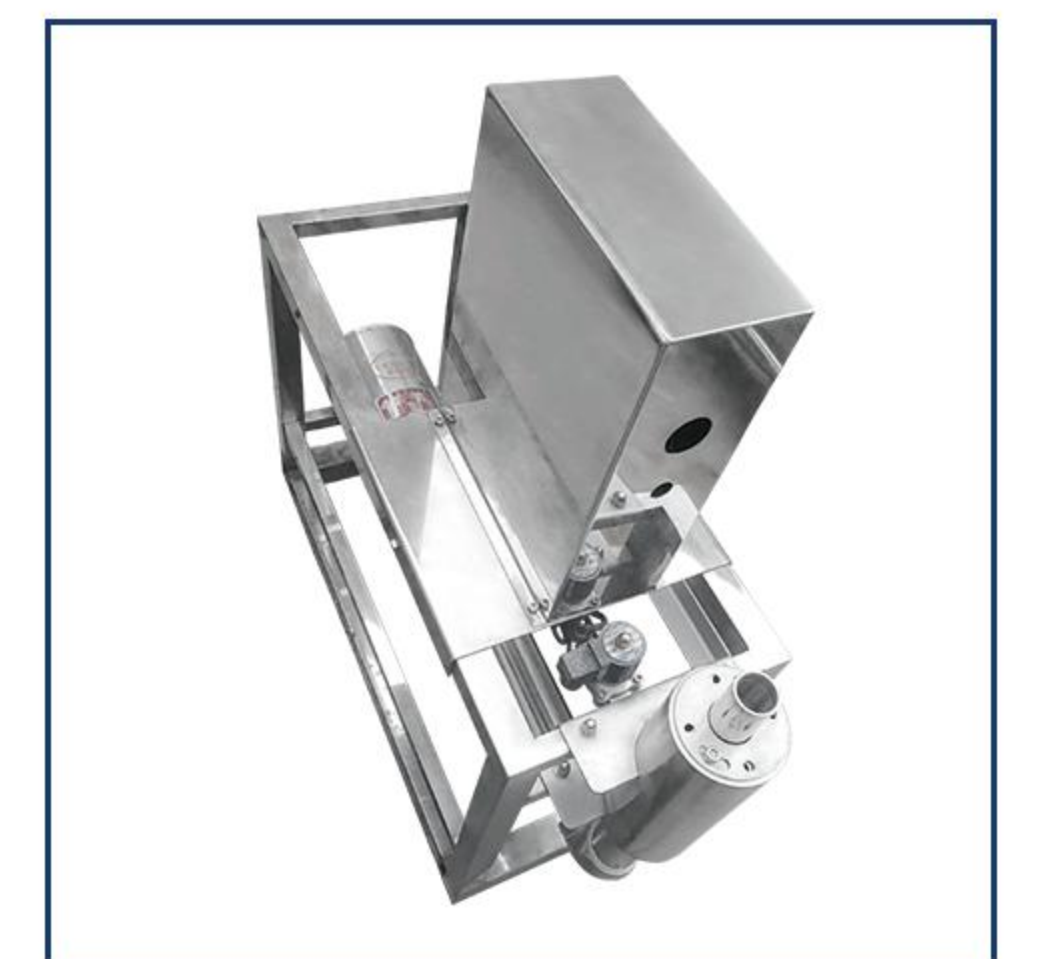


Effect



Technical Parameter

Fuel	Gas
Material	304 stainless steel
Size (mm)	920*325*900
Weight (KG) (without water pump)	32
Ignition Coil Voltage (V)	220
Ignition Coil Current (A)	1.4
Ignition Coil Power (W)	300
Gas Supply Solenoid Valve Voltage (V)	200
Gas Supply Solenoid Valve Current (A)	0.2
Gas Supply Solenoid Valve Power (W)	50
Supply Solenoid Valve Maximum Pressure (mpa)	0.8
Pump Voltage (V)	380
Maximum Spray Height (m)	6
Pipe Material	304 stainless steel (seamless steel pipe)





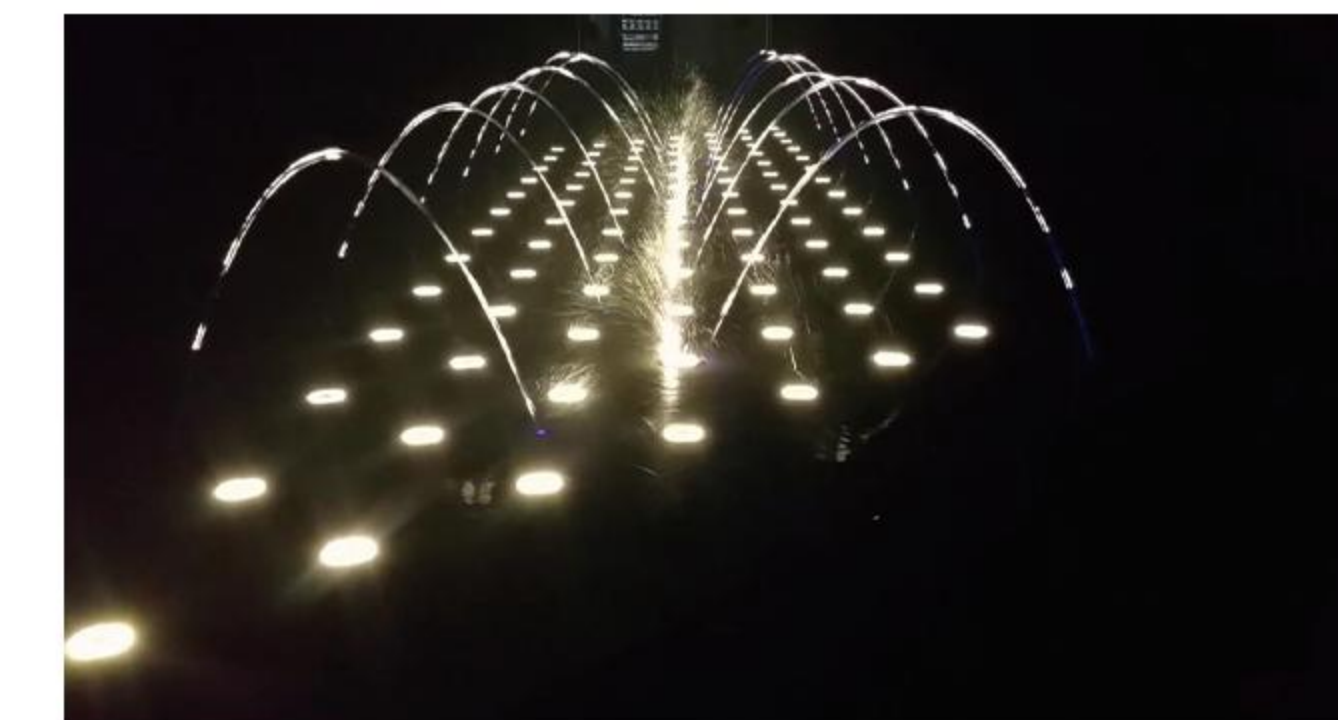
### Laminar Fountain Jets (Regular version)



#### Technical Parameter

Model	S	M	L	XL
Material	SUS304	SUS304	SUS304	SUS304
Net Weight (KG)	7	12.6	14	23.3
Rectifier Barrel Size (mm)	L220*W200*H300	L270*W260*H380	L400*W310*H480	L400*W370*H500
Packing Size (mm)	L270*W250*H350	L320*W310*H430	L450*W360*H530	L450*W420*H550
Water Outlet (mm)	10	14	16	18
Water Intake	DN25	DN40	DN40	DN40
Flow Rate (M3/H)	3	4	5	7
Lift (m)	4	10	12	14
Spray Height (m)	2.2	3.2	4.7	5.5
Span (m)	2.0	2.2	2.8	3.0
Standard Built-in Light	3W/Monochrome	3W/Monochrome	3W/Monochrome	3W/Monochrome

### Jumping Fountain Jets (Regular version)



#### Technical Parameter

Model	S	M	L	XL
Material	SUS304	SUS304	SUS304	SUS304
Net Weight (KG)	11	14.0	23.8	31.0
Rectifier Barrel Size (mm)	L240*W220*H430	L260*W240*H550	L320*W340*H630	L360*W400*H670
Packing Size (mm)	L290*W270*H480	L310*W290*H600	L370*W390*H680	L410*W450*H720
Water Outlet (mm)	10	14	16	18
Water Intake	DN25	DN40	DN40	DN40
Flow Rate (M3/H)	3	4	5	7
Lift (m)	4	10	12	14
Spray Height (m)	2.2	3.2	4.7	5.5
Span (m)	2.0	2.2	2.8	3.0
Standard Built-in Light	3W/Monochrome	3W/Monochrome	3W/Monochrome	3W/Monochrome
Power Source	Stepper Motor	Stepper Motor	Stepper Motor	Stepper Motor
Power Voltage	DC24	DC24	DC24	DC24
Operating Angle	±30°	±30°	±30°	±30°

### Laminar Fountain Jets (Underwater installation)



#### Technical Parameter

Model	S	M	L	XL
Material	SUS304	SUS304	SUS304	SUS304
Net Weight (KG)	8.5	14.1	15.5	24.8
Rectifier Barrel Size (mm)	L220*W200*H500	L270*W260*H580	L400*W310*H680	L400*W370*H700
Packing Size (mm) The outlet protection tube is removable	L270*W250*H350	L320*W310*H430	L450*W360*H530	L450*W420*H550
Water Outlet (mm)	10	14	16	18
Water Intake	DN25	DN40	DN40	DN40
Flow Rate (M3/H)	3	4	5	7
Lift (m)	4	10	12	14
Spray Height (m)	2.2	3.2	4.7	5.5
Span (m)	2.0	2.2	2.8	3.0
Standard Built-in Light	3W/Monochrome	3W/Monochrome	3W/Monochrome	3W/Monochrome

### Jumping Fountain Jets (Underwater installation)



#### Technical Parameter

Model	S	M	L	XL
Material	SUS304	SUS304	SUS304	SUS304
Net Weight (KG)	11	14.0	23.8	31.0
Rectifier Barrel Size (mm)	L240*W220*H430	L260*W240*H550	L320*W340*H630	L360*W400*H670
The size of the outlet protection tube	Customizable	Customizable	Customizable	Customizable
Packing Size (mm) The outlet protection tube is removable	L290*W270*H480	L310*W290*H600	L370*W390*H680	L410*W450*H720
Water Outlet (mm)	10	14	16	18
Water Intake	DN25	DN40	DN40	DN40
Flow Rate (M3/H)	3	4	5	7
Lift (m)	4	10	12	14
Spray Height (m)	2.2	3.2	4.7	5.5
Span (m)	2.0	2.2	2.8	3.0
Standard Built-in Light	3W/Monochrome	3W/Monochrome	3W/Monochrome	3W/Monochrome
Power Source	Stepper Motor	Stepper Motor	Stepper Motor	Stepper Motor
Power Voltage	DC24	DC24	DC24	DC24
Operating Angle	±30°	±30°	±30°	±30°



## Underwater Lights



- **Shell Material:** SS304 stainless steel (standard), SS316 stainless steel (optional).
- **Tempered Heat-resistant Safety Glass:** High light transmittance tempered ultra-white glass, 94% light transmittance, high hardness, no fragile and more durable.
- **LED Light Source:** Cree/Osram/Lumileds/Epistar/Epileds.
- **Heat Dissipation Structure:** Integrated heat dissipation structure design, patented heat conduction system, built-in overload and overheat protection device, adaptive power output, high-quality high thermal conductivity PCB substrate, thermal conductivity  $\geq 2.0\text{w/MK}$ .
- **Waterproof Structure:** The sealing ring is made of anti-aging silicone rubber material, patented sealing technology, a special sealing structure to meet the requirements of long-term underwater use, and waterproof grade IP68.
- **Cable:** Underwater special JHS cable.

## Recessed Underground Lights



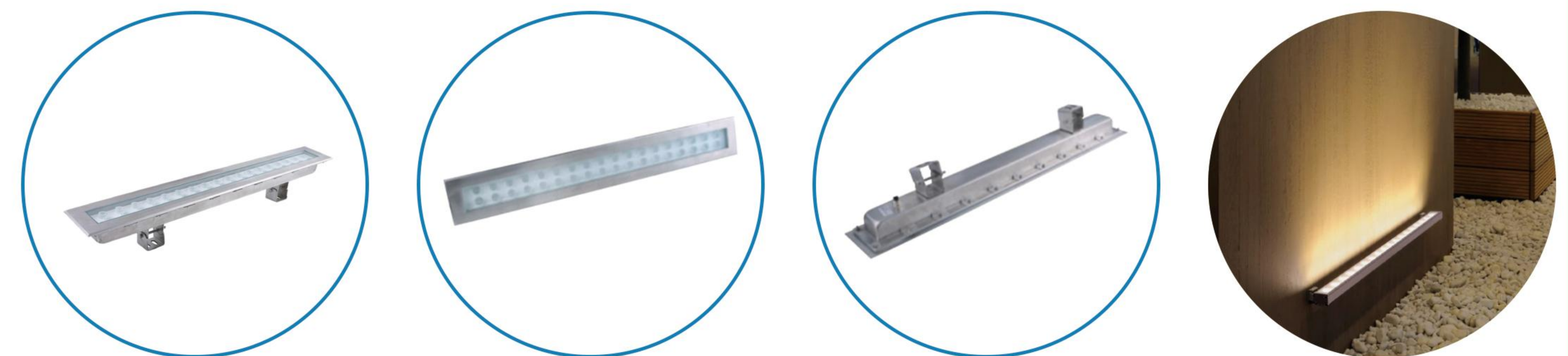
- **Stainless Steel Cover:** Thickened 304 stainless steel.
- **Tempered Mirror Glass:** High light transmittance tempered glass, high light transmittance, high hardness, not easy to be broken, more durable.
- **Embedded Parts:** Super-thick high-grade ABS flame retardant plastic embedded parts, pre-buried installation, to facilitate the installation of underground light in the later stage, protect the lamp body from corrosion, and prolong the service life of the lamps.
- **LED Light Source:** Imported high-brightness LED light source, pure color, high brightness, energy saving and environmental protection, long service life, and wide irradiation range.
- **Waterproof Connector:** High-grade waterproof wiring port, waterproof grade IP68.
- **Cable:** High-quality UL rubber wire, oil resistance, cold resistance, high-temperature resistance, UV resistance, good flexibility, and high strength.

## Ring Lights



- **Stainless Steel Light Body:** SS304 stainless steel.
- **Tempered Mirror Glass:** High light transmittance tempered glass, high light transmittance, and high hardness, are not easy to be broken and are more durable.
- **LED Light Source:** High-brightness LED light source, pure color, high brightness, energy saving and environmental protection, long service life, wide irradiation range.
- **Heat Dissipation:** The strict manufacturing process and water circulation heat dissipation, faster heat dissipation, and longer life.
- **Waterproof Connector:** High-grade waterproof wiring port, waterproof grade IP68.
- **Cable:** High-quality UL rubber wire, oil resistance, cold resistance, high-temperature resistance, UV resistance, good flexibility, and high strength.

## Wall Washer Lights



- **Stainless Steel Light Body:** Thickened 304 stainless steel, polished and sealed glaze, non-fading, anti-corrosion, anti-cracking, beautiful appearance, fashionable and generous.
- **Tempered Mirror Glass:** High light transmittance tempered glass, high light transmittance, high hardness, not easy to be broken, more durable.
- **LED Light Source:** Imported high-brightness LED light source, pure color, high brightness, energy saving and environmental protection, long service life, and wide irradiation range.
- **Heat Dissipation:** The strict manufacturing process and water circulation heat dissipation, faster heat dissipation, and longer life.
- **Waterproof Connector:** High-grade waterproof wiring port, waterproof grade IP68.
- **Cable:** High-quality UL rubber wire, oil resistance, cold resistance, high-temperature resistance, UV resistance, good flexibility, and high strength.



## Low Pressure Fountain Pump

THE MEANING OF THE MODEL:

**4 DP 5 - 2 - 8 / 900**

- Distribution Power Of The Pump Set: 900W
- Lift Of Pump: 8m
- Impeller Stages: 2
- Flow: 5m<sup>3</sup>/h
- Low Pressure Stainless Steel Pump
- The Diameter Of The Pump



### Model Selection Table

Model	Distribution Power Of The Pump Set	Motor Power	Voltage Of Switching Power Supply	The Working Voltage Of The Motor	Flow/Lift	Rotating Speed
	W	W	V	V	m <sup>3</sup> /m	r/min
DP6-1-6/400 (Horizontal)	400	20-200	24 (21-36)	12/24	6m <sup>3</sup> /6m	2850
4DP5-1-4/400	400	20-200	24 (21-36)	12/24	5m <sup>3</sup> /4m	2850
4DP5-2-8/900	900	20-370	24 (21-36)	12/24	5m <sup>3</sup> /8m	2850
4DP8-1-4.5/900	900	20-370	24 (21-36)	12/24	8m <sup>3</sup> /4.5m	2850
4DP5-3-12/1200	1200	20-550	36 (30-48)	12/24	5m <sup>3</sup> /12m	2850
4DP8-2-9/1200	1200	20-550	36 (30-48)	12/24	8m <sup>3</sup> /9m	2850
4DP14-1-4/1200	1200	20-550	36 (30-48)	12/24	14m <sup>3</sup> /4m	2850
4DP5-4-16/1400	1400	20-550	36 (30-48)	12/24	5m <sup>3</sup> /16m	2850
4DP8-3-12/1600	1600	20-750	36 (30-48)	24/36	8m <sup>3</sup> /12m	2850
4DP14-2-8/1600	1600	20-750	36 (30-48)	24/36	14m <sup>3</sup> /8m	2850
4DP8-4-16/2500	2500	20-1100	48 (42-60)	24/36	8m <sup>3</sup> /16m	2850
6DP20-1-9/2500	2500	20-1100	48 (42-60)	24/36	20m <sup>3</sup> /9m	2850
4DP14-3-12/2500	2500	20-1100	48 (42-60)	24/36	14m <sup>3</sup> /12m	2850
6DP30-1-8/3500	3500	20-1500	48 (42-60)	36	30m <sup>3</sup> /8m	2850

## Fountain Pump (Regular version)



### Applications





# WATER SCREEN DEVICE

## Equipment Exhibition



## Parameters

No.	Items	Water Screen Device			
01	Material	SS304			
02	Model	DN100	DN150	DN100 (Baffle Style)	DN150 (Baffle Style)
03	Size	Φ255*180	Φ305*200	395*130*325	490*150*420
04	Weight	18KG	30KG	21KG	20m³/9m
05	Scattering Angle	165°	165°	180°	180°
06	Scattering Radius	15m	20m	15m	20m

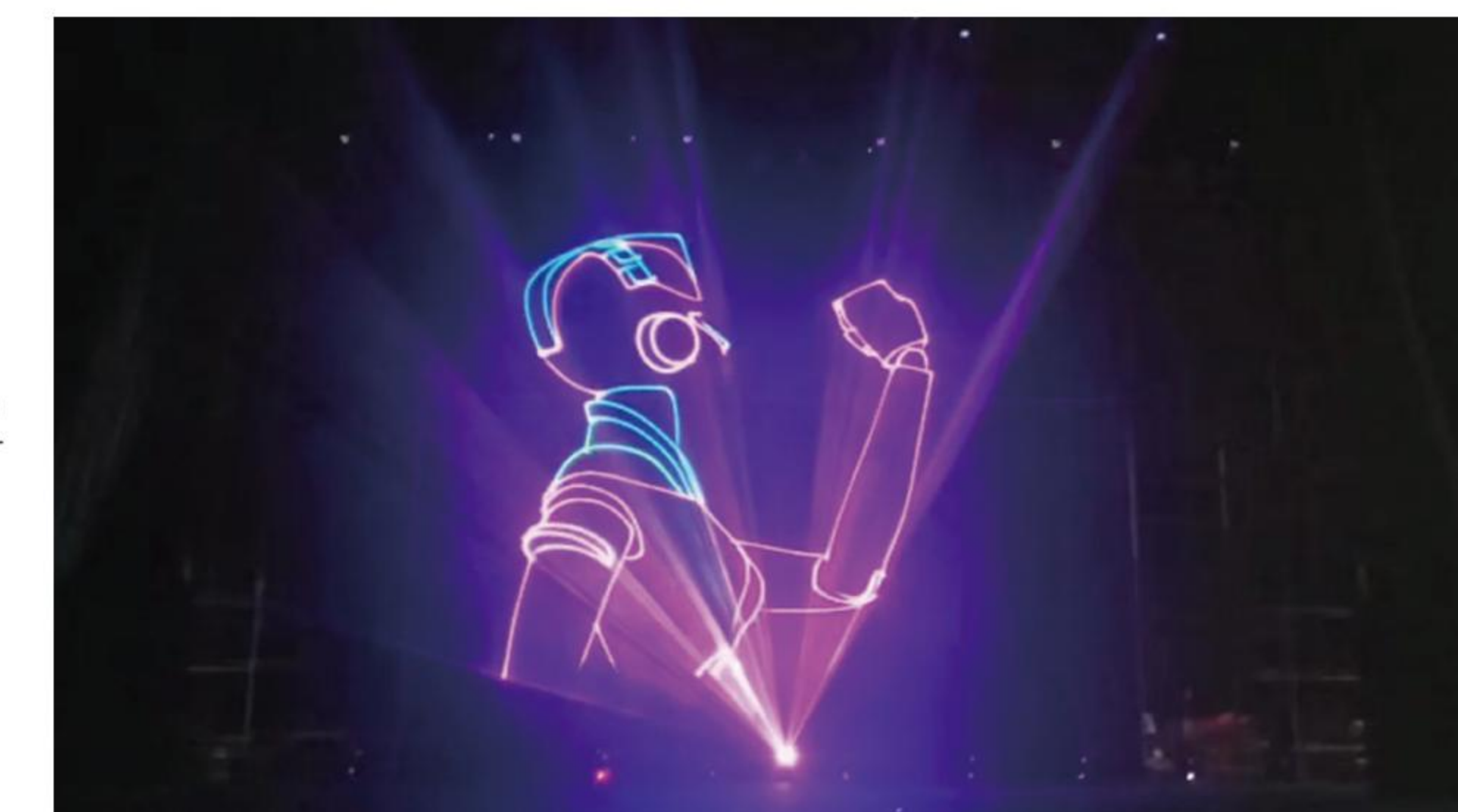


# LASER

## Equipment Exhibition



GREEN LASER



RGB ANIMATION LASER



# COLD MIST HOST

